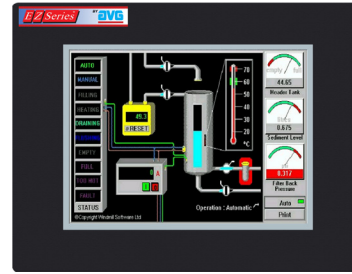


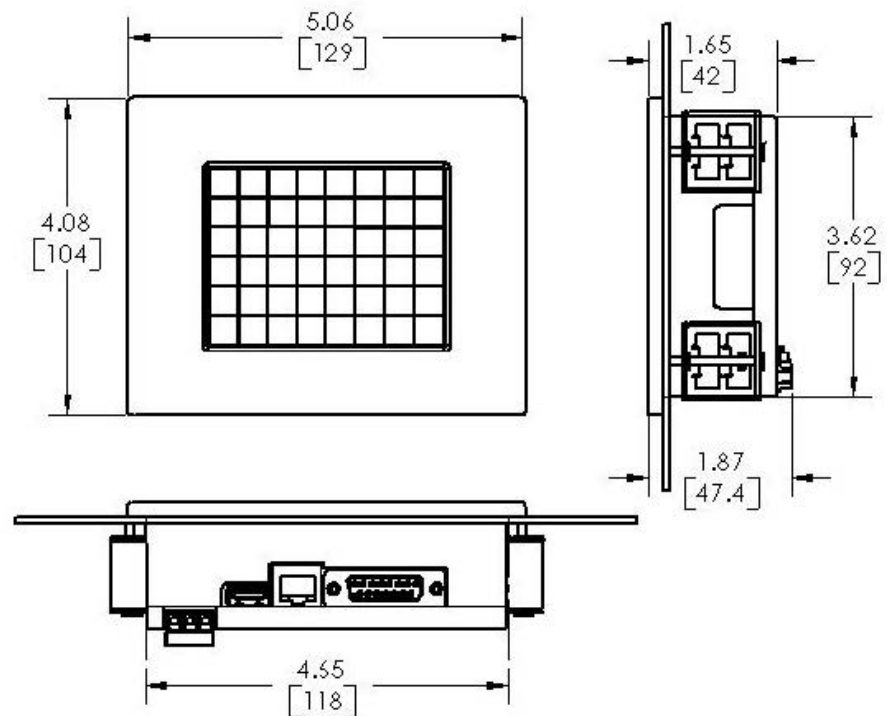
# EZ5 Series 4" TFT Color Panels

## EZ5 Series Touchpanel feature:

- 320 x 240 screen resolution
- 3.5" diagonal color TFT
- 300 NITs, 50K Hrs @ 40°C
- Patented HMI on-line edit, No downtime
- Tiny EZminiWifi installed on the HMI allows Laptop to program HMI from 50 ft. away.
- EZTouch EZ5 HMIs in a plant or multiple plants have the capacity to be monitored using EZPlantview software.
- Most Rugged 0.090" thick anti-glare touch screen.
- Unicode for multiple languages.
- Free Easiest Programming Software, design time in hrs not days.
- "C level" scripting and logic expressions.
- Data-logging, Emails, USBs.
- Remote Monitoring and Control, Smart phones & Ethernet.
- Communicate to all PLCs, including Ethernet IP.
- Unique Visibility tag for best screen space utilization.



| Model Number | Interface                       | Price | Del. |
|--------------|---------------------------------|-------|------|
| EZ5-T4C-E    | All serial and Ethernet drivers | \$299 | STK  |

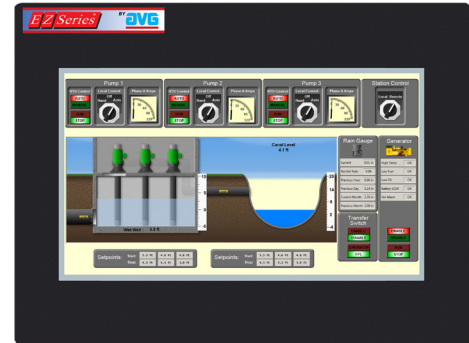


Proudly Made in America

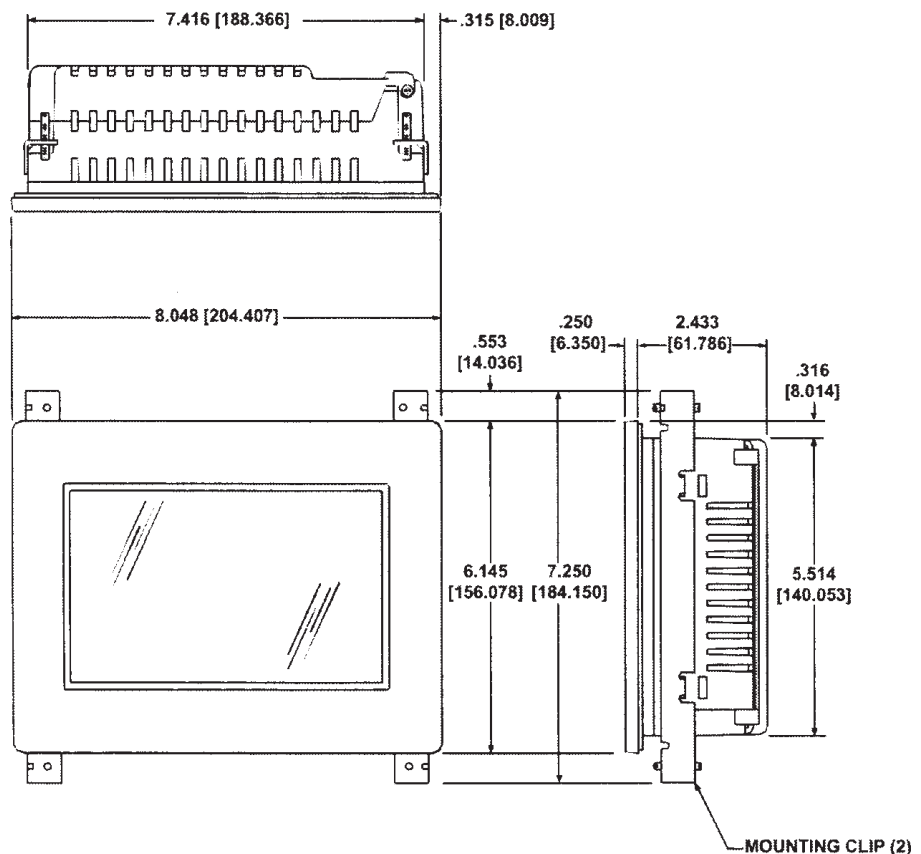
# EZ5 Series 7" (Wide) TFT Color Panels

## EZ5 Series Touchpanel feature:

- 800 x 480 screen resolution
- 7" diagonal color TFT
- 300 NITs, 50K Hrs @ 40°C
- Patented HMI on-line edit, No downtime
- Tiny EZminiWifi installed on the HMI allows Laptop to program HMI from 50 ft. away.
- EZTouch EZ5 HMIs in a plant or multiple plants have the capacity to be monitored using EZPlantview software.
- Most Rugged 0.090" thick anti-glare touch screen.
- Unicode for multiple languages.
- Free Easiest Programming Software, design time in hrs not days.
- "C level" scripting and logic expressions.
- Data-logging, Emails, USBs.
- Remote Monitoring and Control, Smart phones & Ethernet.
- Communicate to all PLCs, including Ethernet IP.
- Unique Visibility tag for best screen space utilization.



| Model Number | Interface                       | Price | Del. |
|--------------|---------------------------------|-------|------|
| EZ5-T7C-E    | All serial and Ethernet drivers | \$399 | STK  |

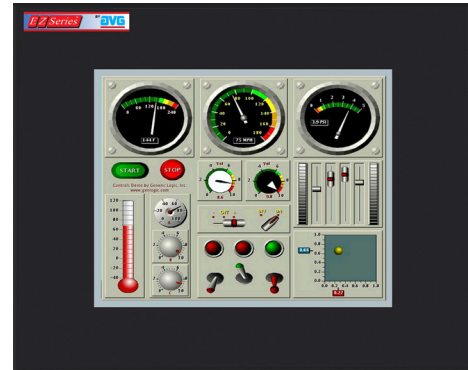


Proudly Made in America

# EZ5 Series 8" TFT Color Panels

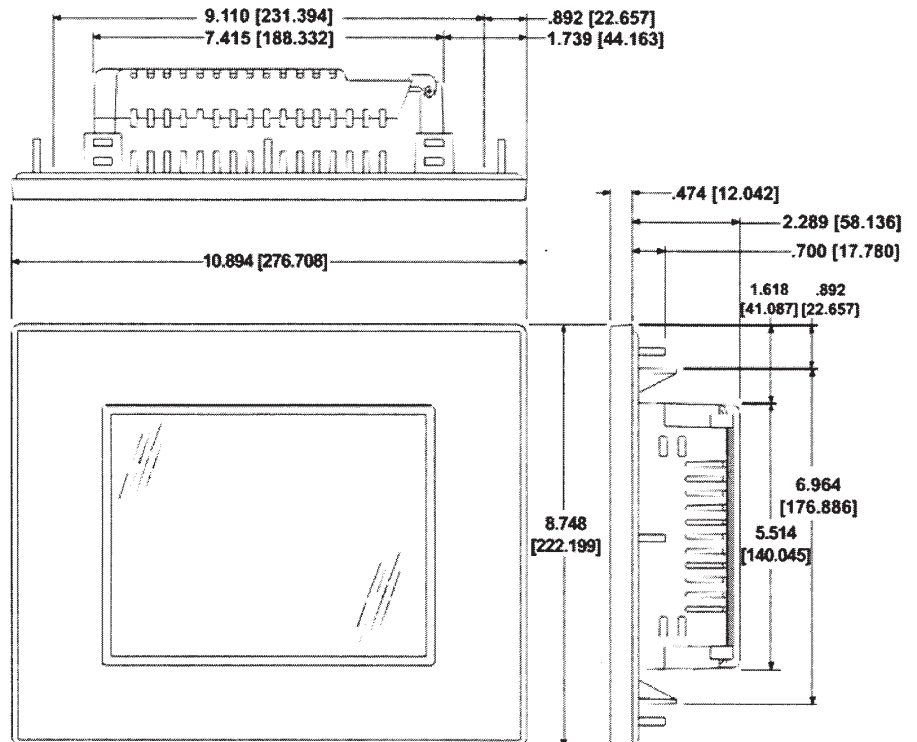
## EZ5 Series Touchpanel feature:

- 800 x 600 screen resolution
- 8.4" diagonal color TFT
- 300 NITs, 50K Hrs @ 40°C
- Patented HMI on-line edit, No downtime
- Tiny EZminiWifi installed on the HMI allows Laptop to program HMI from 50 ft. away.
- EZTouch EZ5 HMIs in a plant or multiple plants have the capacity to be monitored using EZPlantview software.
- Most Rugged 0.090" thick anti-glare touch screen.
- Unicode for multiple languages.
- Free Easiest Programming Software, design time in hrs not days.
- "C level" scripting and logic expressions.
- Data-logging, Emails, USBs.
- Remote Monitoring and Control, Smart phones & Ethernet.
- Communicate to all PLCs, including Ethernet IP.
- Unique Visibility tag for best screen space utilization.



| Model Number | Interface                       | Price | Del. |
|--------------|---------------------------------|-------|------|
| EZ5-T8C-E    | All serial and Ethernet drivers | \$599 | STK  |

EZ Touch HMI

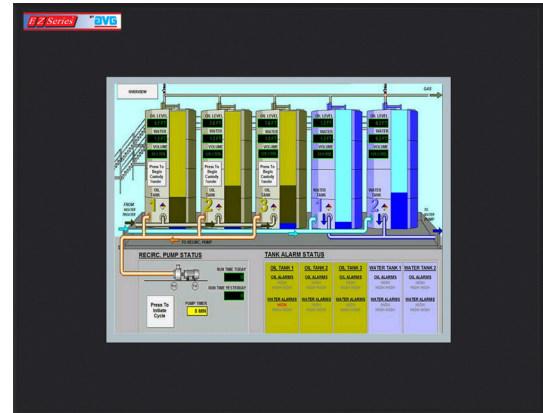


Proudly Made in America

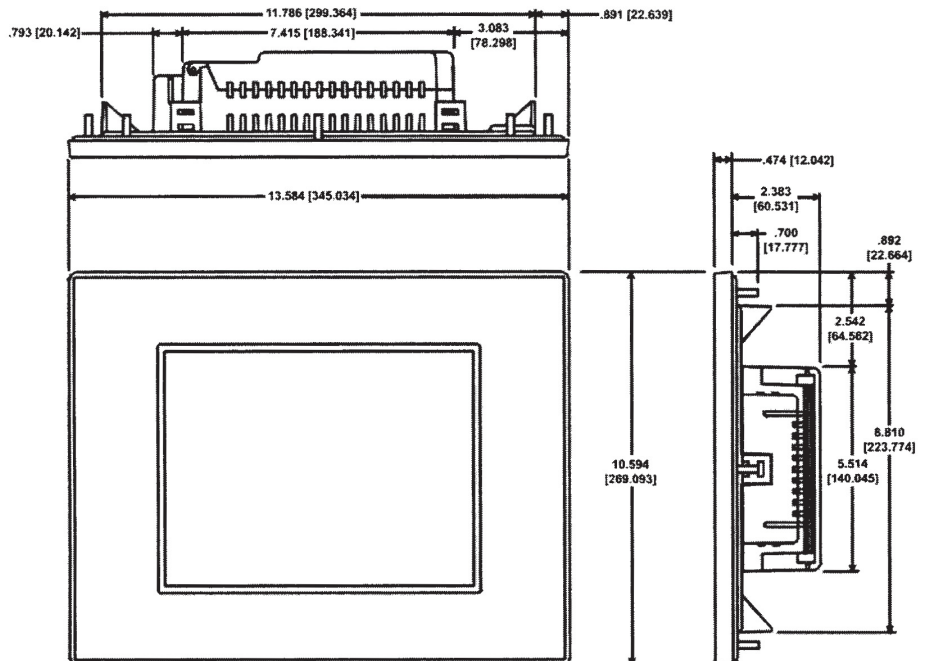
# EZ5 Series 10" TFT Color Panels

## EZ5 Series Touchpanel feature:

- 800 x 600 screen resolution
- 10.4" diagonal color TFT
- 300 NITs, 50K Hrs @ 40°C
- Patented HMI on-line edit, No downtime
- Tiny EZminiWifi installed on the HMI allows Laptop to program HMI from 50 ft. away.
- EZTouch EZ5 HMIs in a plant or multiple plants have the capacity to be monitored using EZPlantview software.
- Most Rugged 0.090" thick anti-glare touch screen.
- Unicode for multiple languages.
- Free Easiest Programming Software, design time in hrs not days.
- "C level" scripting and logic expressions.
- Data-logging, Emails, USBs.
- Remote Monitoring and Control, Smart phones & Ethernet.
- Communicate to all PLCs, including Ethernet IP.
- Unique Visibility tag for best screen space utilization.



| Model Number | Interface                       | Price | Del. |
|--------------|---------------------------------|-------|------|
| EZ5-T10C-E   | All serial and Ethernet drivers | \$699 | STK  |

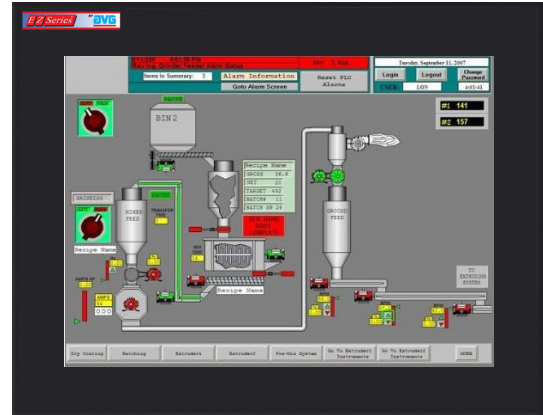


Proudly Made in America

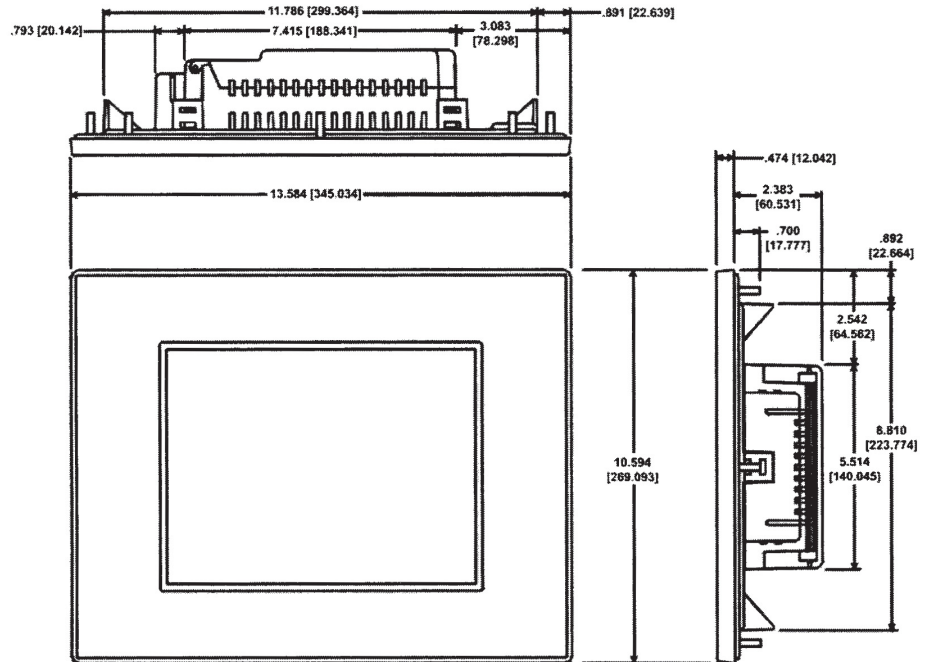
# EZ5 Series 12" TFT Color Panels

## EZ5 Series Touchpanel feature:

- 800 x 600 screen resolution
- 12" diagonal color TFT
- 300 NITs, 50K Hrs @ 40°C
- Patented HMI on-line edit, No downtime
- Tiny EZminiWifi installed on the HMI allows Laptop to program HMI from 50 ft. away.
- EZTouch EZ5 HMIs in a plant or multiple plants have the capacity to be monitored using EZPlantview software.
- Most Rugged 0.090" thick anti-glare touch screen.
- Unicode for multiple languages.
- Free Easiest Programming Software, design time in hrs not days.
- "C level" scripting and logic expressions.
- Data-logging, Emails, USBs.
- Remote Monitoring and Control, Smart phones & Ethernet.
- Communicate to all PLCs, including Ethernet IP.
- Unique Visibility tag for best screen space utilization.



| Model Number | Interface                       | Price | Del. |
|--------------|---------------------------------|-------|------|
| EZ5-T12C-E   | All serial and Ethernet drivers | \$899 | STK  |



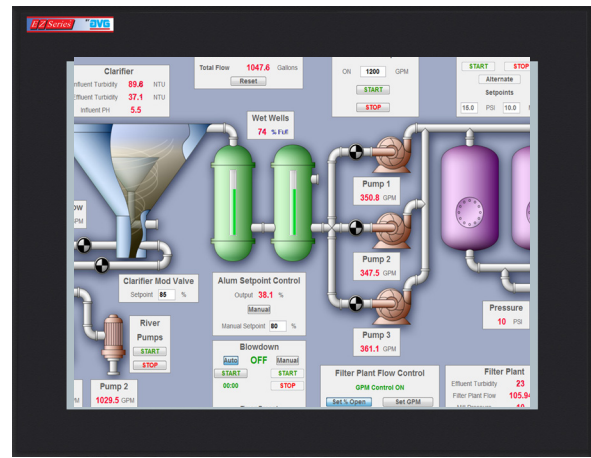
Proudly Made in America



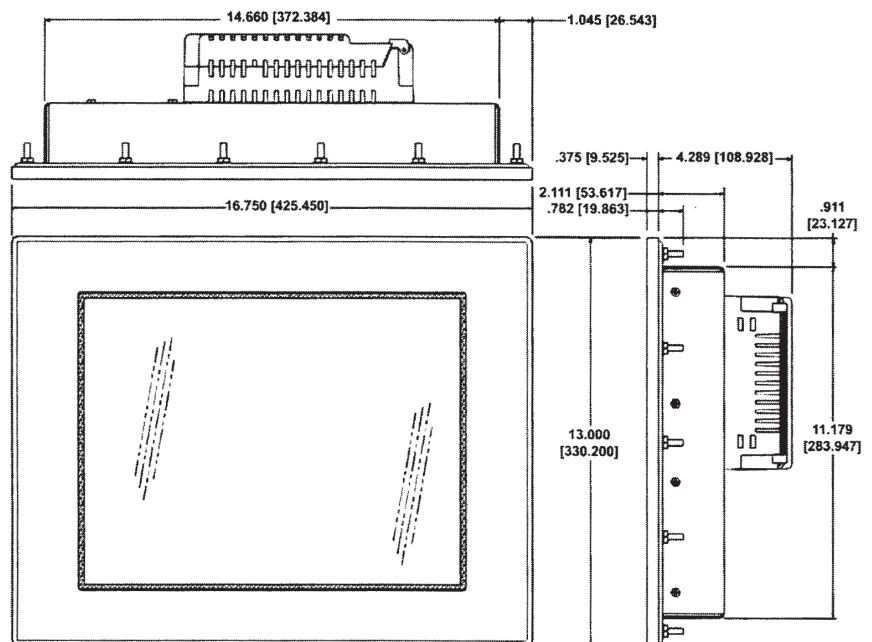
# EZ5 Series 15" TFT Color Panels

## EZ5 Series Touchpanel feature

- 5 1024 x 768 screen resolution Series Touch
- 15" diagonal color TFT
- 300 NITS, 50K Hrs @ 40°C
- Patented HMI on-line edit, No downtime
- Tiny EZminiWifi installed on the HMI allows Laptop to program HMI from 50 ft. away.
- EZTouch EZ5 HMIs in a plant or multiple plants have the capacity to be monitored using EZPlantview software.
- Most Rugged 0.090" thick anti-glare touch screen.
- Unicode for multiple languages.
- Free Easiest Programming Software, design time in hrs not days.
- "C level" scripting and logic expressions.
- Data-logging, Emails, USBs.
- Remote Monitoring and Control, Smart phones & Ethernet.
- Communicate to all PLCs, including Ethernet IP.
- Unique Visibility tag for best screen space utilization.



| Model Number | Interface                       | Price  | Del. |
|--------------|---------------------------------|--------|------|
| EZ5-T15C-E   | All serial and Ethernet drivers | \$1299 | STK  |



Proudly Made in America